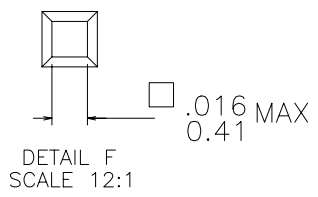
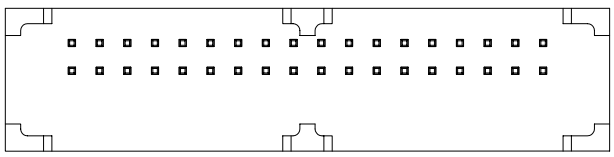
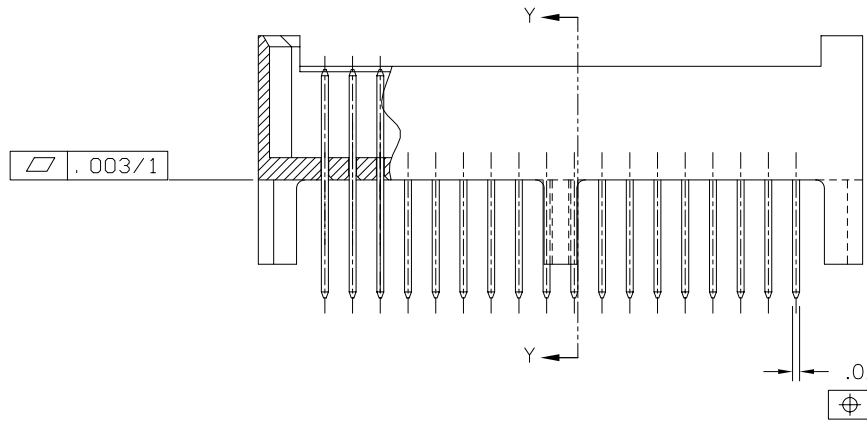
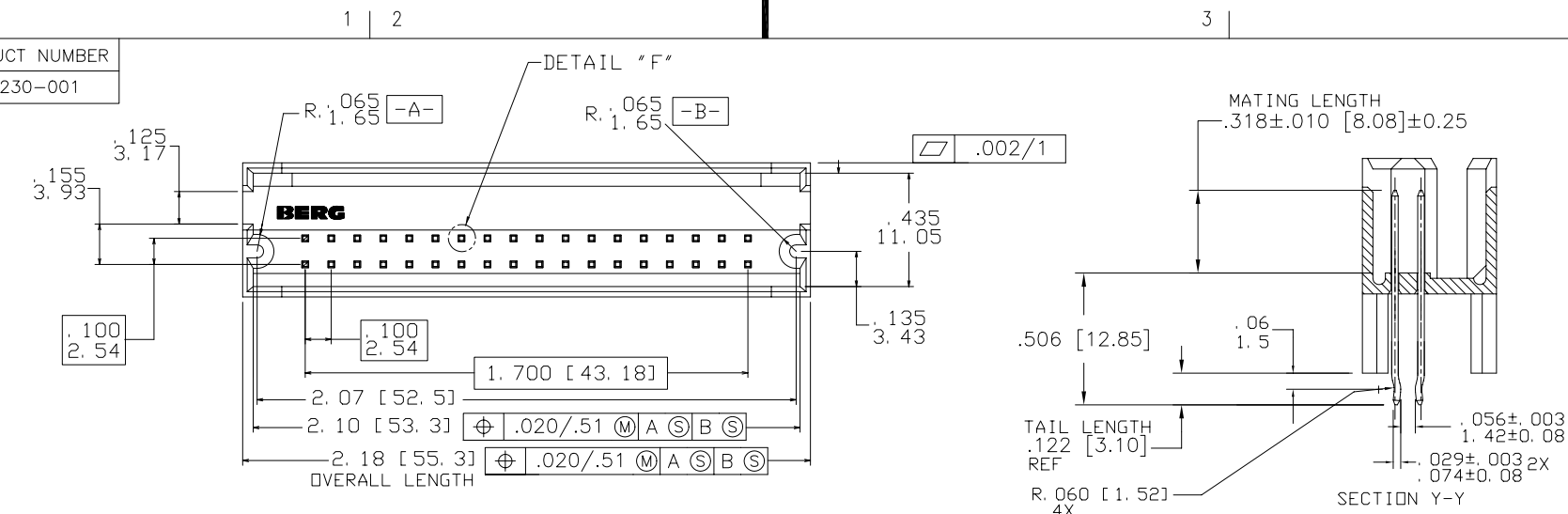


Tous droits strictement reserves. Reproduction ou communication a des tiers interdite sous quelque forme que ce soit sans autorisation ecrite du proprietaire. Propriete de c FCI. Droits de reproduction FCI.

FCI

All rights strictly reserved. Reproduction or issue to third parties in any form whatever is not permitted without written authority from the proprietor. Property of FCI. Copyright FCI.

PRODUCT NUMBER
71230-001



mat'l. code NOTE 1 & 2				tolerances unless otherwise specified				CUSTOMER COPY		FCI www.fciconnect.com	
ltr	ecn no	dr	date	linear	.xx ±.01/.x±.3			projection	title		
A	V50957	MDF	8/1/95		.xxx ±.005/.xx±.13				MODIFIED SLOTTED HEADER VERTICAL, 2 X 18 W/RET.		
B	V51295	MDF	1/10/96	angles	.xxxx ±.0020/.xxx±.051			INCH/MM	product family HEADERS		code
C	C90012	EPK	3/18/99		0° ±2°				size dwg no		sheet
D	M05-0204	ERE	10/26/05	dr	M. FETROW	8/1/95	scale 1.5:1	A	71230	1 of 2	
				enr	L. FYE	8/1/95					
				chr	L. FYE	8/1/95					
				appd	L. FYE	8/1/95					
sheet index	revision sheet	D	D								
		1	2								

cage code
22526

ACAD

PDM: Rev:D

STATUS Released

Printed: Oct 28, 2008

Tous droits strictement reserves. Reproduction ou communication a des tiers interalite sous quelque forme que ce soit sans autorisation ecrite du proprietaire. Propriete de c FCI. Droits de reproduction FCI.



All rights strictly reserved. Reproduction or issue to third parties in any form whatever is not permitted without written authority from the proprietor. Property of FCI. Copyright FCI.

PRODUCT NUMBER	SIZE	TAIL LENGTH	OVERALL LENGTH	LEAD FREE OPTION

NOTES:

- ① MOLDING MATERIAL: HI-TEMP RESIN PER UL 94V-0
COLOR: BLACK
- ② TERMINAL MATERIAL: 3/4 HARD PHOS BRONZE ALLOY
3. PLATING: 30u"/0.76u GXT.
4. PIN RETENTION TO BE 3 LBS/1.36 KG MIN PER PIN IN EITHER DIRECTION.
5. RETENTION FEATURES ARE LOCATED ON THE TWO MOST CENTRAL PAIRS FOR SIZES 2 X 24 AND BELOW. FOR SIZES 2 X 25 AND ABOVE, TWO PAIR ON BOTH ENDS, 2ND AND 3RD COLUMNS, ARE RETENTIVE.
6. MAKE FROM PART NUMBER 71228.
7. PACKAGE PER BUS-14-093-2.
- ⑧ ADD "LF" SUFFIX AT THE END OF PART NUMBER FOR LEAD FREE OPTION.
- ⑨ THESE PRODUCTS MEET EUROPEAN UNION DIRECTIVES AND OTHER COUNTRY REGULATIONS AS DESCRIBED IN GS-22-008.
10. THE HOUSING WILL WITHSTAND EXPOSURE TO 260°C PEAK TEMPERATURE FOR 15 SECONDS IN A WAVE SOLDER APPLICATION WITH A 1.5mm MINIMUM THICK CIRCUIT BOARD. SEE APPLICATION NOTES/PROCEDURES IF THEY ARE AVAILABLE.
- ⑩ PLATING OPTIONS:
MAY BE EITHER GOLD OR GXT PLATED AT MANUFACTURER'S OPTION.

mat'l. code		tolerances unless otherwise specified		CUSTOMER COPY		 www.fciconnect.com	
ltr	ecn no	dr	date	linear	.xx ±.01/.x±.3	projection	
D					.xxx ±.005/.xx±.13		
				angles	.xxx ±.0020/.xxx±.051	INCH/MM	product family HEADERS size/ dwg no
				dr	0° ±2°		
				engr	0° ±2°	1.5:1	code sheet 2 of 2
				chr	M. FETROW 8/1/95		
				appd	L. FYE 8/1/95		
					L. FYE 8/1/95		
sheet index	revision sheet						